

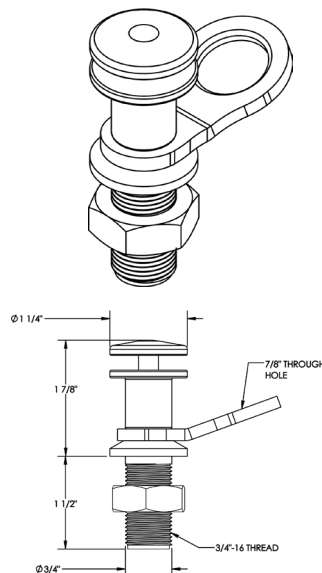
NEW! QUICK PIN CLEATS

Features:

- Install your fenders in one quick click
- Electropolished for corrosion resistance
- Type 316L stainless steel
- Soft-tip, won't scratch the gel coat
- Tested to 1,500+ lbs pull out force
- Made in the USA



PART NUMBER: #QRFPA



**NEW DESIGN
COMING SOON!**



Dock & Fender Lines

Features:

- Made of water resistant polypropylene
- Extremely flexible & resists knotting
- 8 colors to choose from:



Description	Part Number
Fender Lines 1/2 thick, 7 feet long	FL127 + color
Dock Lines	
1/2" thick, 15 feet long	DL1215 + color
1/2" thick, 20 feet long	DL1220 + color
5/8" thick, 25 feet long	DL5825 + color
5/8" thick, 30 feet long	DL5830 + color

Beverage Holders (LED & Regular Available)



These beverage holders use LED technology for a vibrant glow that doesn't generate heat therefore keeping your drinks cool.

A stainless steel rim tops these beverage holders, making them look great even in the day time. The removable rubber insert keeps your cans, bottles and cozies secure and insulated.



SS Beverage Holder

Description	Cutout	Overall	Part Number
Stainless Steel Finish			
small stainless	3 5/8"	4 1/8"	SBHS
large stainless	3 3/4"	4 1/2"	SBHL
Powder Coat Finish			
small	3 5/8"	4 1/8"	SBHS + color
large	3 3/4"	4 1/2"	SBHL + color
Drain Fittings for			
3/8" straight push on			SBHFS3/8
3/8" 90 degrees push on			SBHFS903/8
drain cap			SBHC